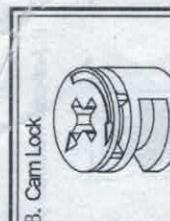
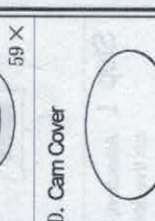
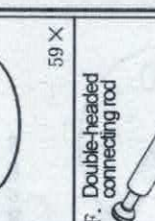
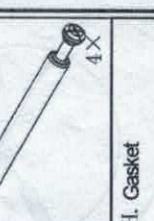
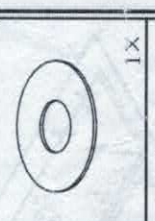



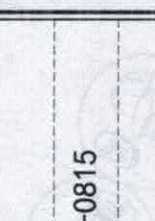
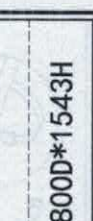
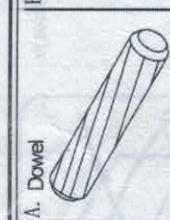

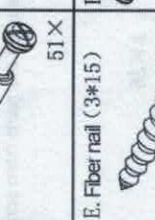

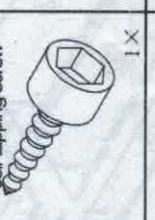



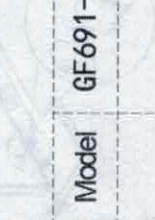

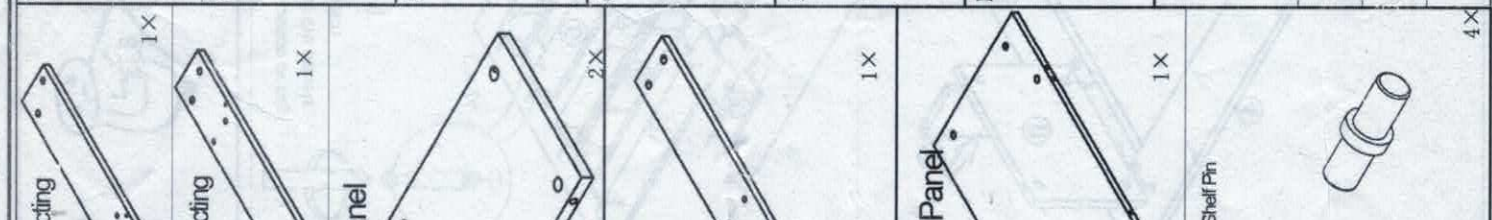
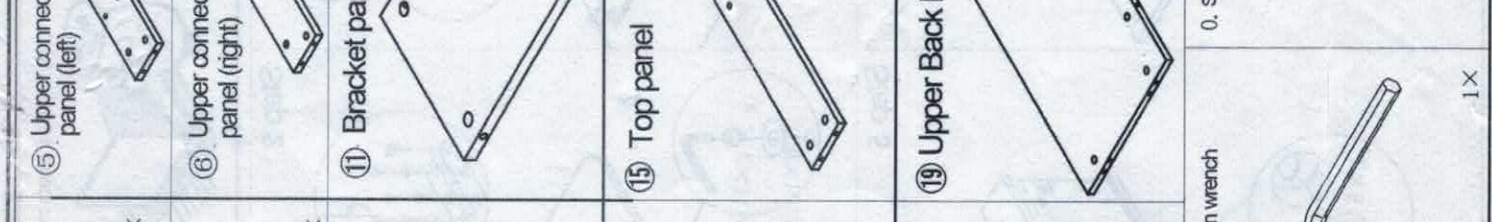
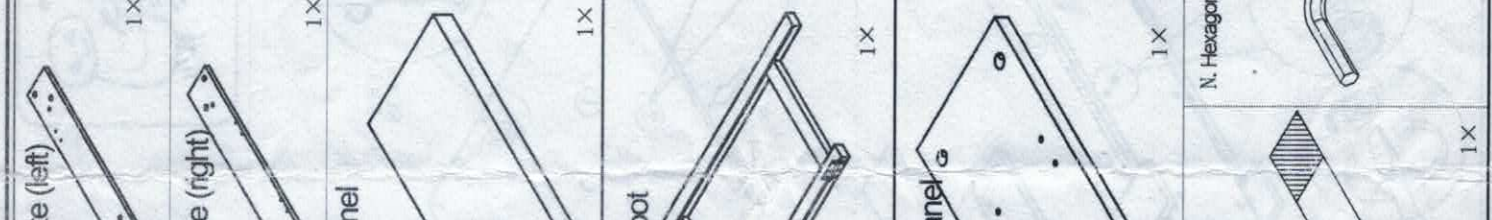
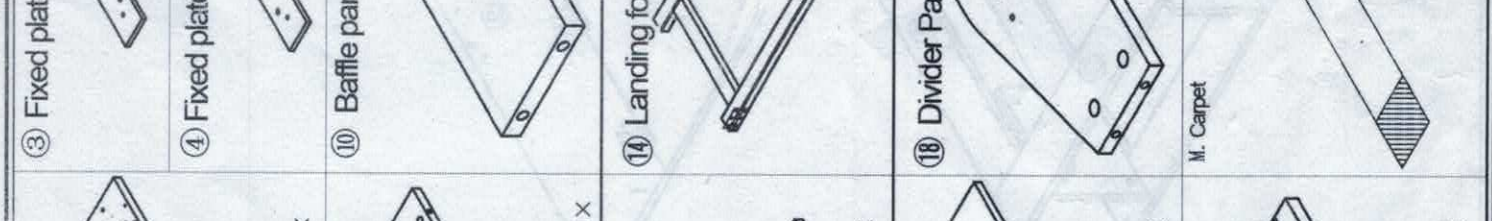
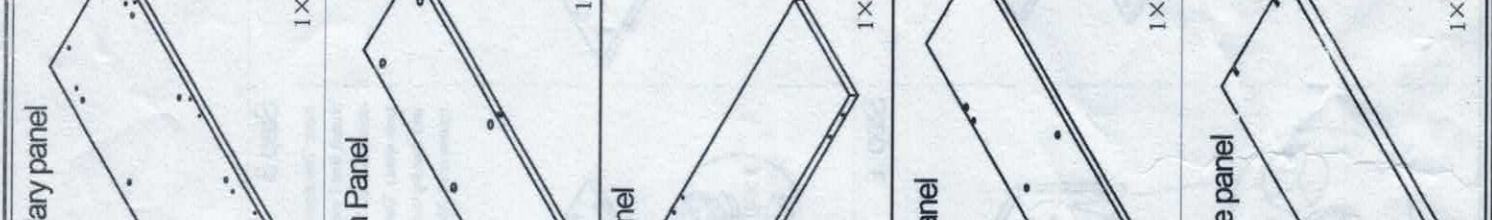
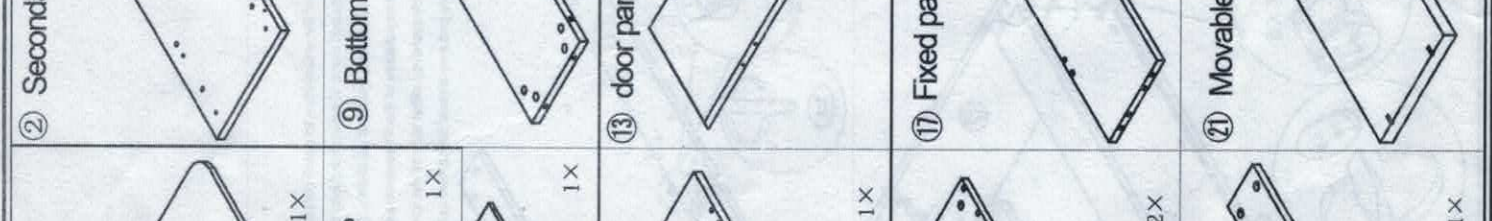
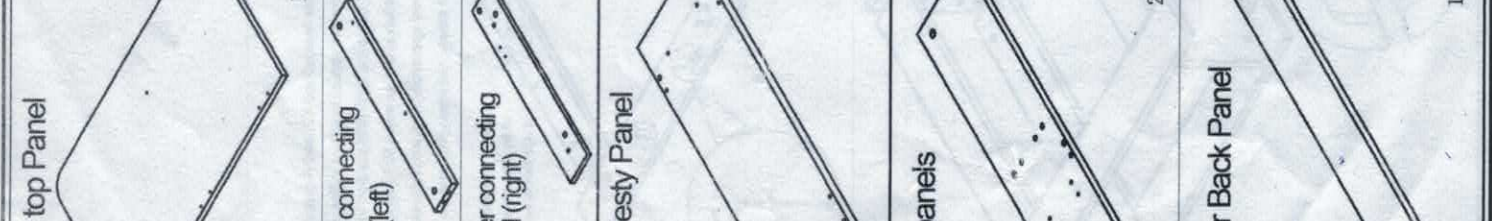
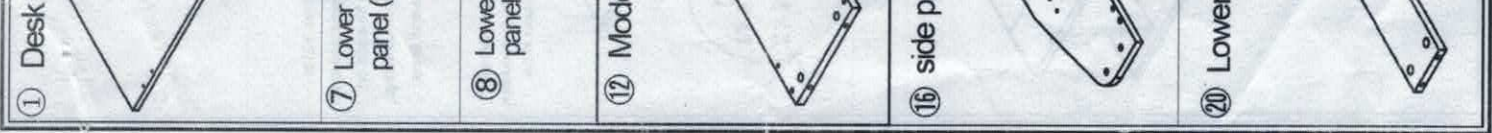


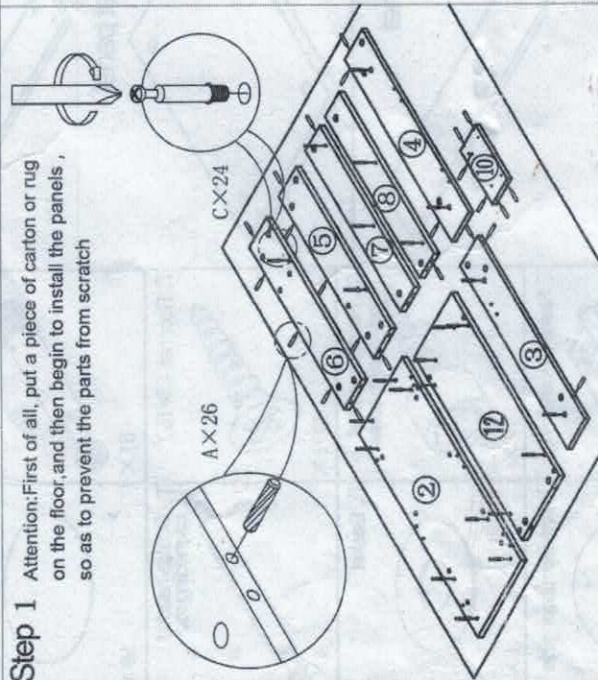
<p>① Desk top Panel</p>  <p>1X</p>	<p>② Secondary panel</p>  <p>1X</p>	<p>③ Fixed plate (left)</p>  <p>1X</p>	<p>④ Fixed plate (right)</p>  <p>1X</p>	<p>⑤ Upper connecting panel (left)</p>  <p>1X</p>	<p>⑥ Upper connecting panel (right)</p>  <p>1X</p>	<p>⑦ Lower connecting panel (left)</p>  <p>1X</p>	<p>⑧ Lower connecting panel (right)</p>  <p>1X</p>	<p>⑨ Bottom Panel</p>  <p>1X</p>	<p>⑩ Baffle panel</p>  <p>1X</p>	<p>⑪ Bracket panel</p>  <p>2X</p>	<p>⑫ Modesty Panel</p>  <p>1X</p>	<p>⑬ door panel</p>  <p>1X</p>	<p>⑭ Landing foot</p>  <p>1X</p>	<p>⑮ Top panel</p>  <p>1X</p>	<p>⑯ Divider Panel</p>  <p>1X</p>	<p>⑰ Fixed panel</p>  <p>1X</p>	<p>⑱ Upper Back Panel</p>  <p>1X</p>	<p>⑲ Movable panel</p>  <p>1X</p>	<p>⑳ Lower Back Panel</p>  <p>1X</p>																																																																																																																																		
<p>A. Dowel 33 X</p> 										<p>B. Cam Lock 59 X</p> 										<p>C. Cam Pin 51 X</p> 										<p>D. Cam Cover 59 X</p> 										<p>E. Fiber nail (3*15) 40+1 X</p> 										<p>F. Double-headed connecting rod 4 X</p> 										<p>G. Hexagon socket self-tapping screw 1 X</p> 										<p>H. Gasket 1 X</p> 										<p>I. Anti-slip rubber glide 4 X</p>										<p>J. Stainless metal hinge 5 X</p>										<p>K. Small magnets 1 X</p>										<p>L. Dual-purpose Screwdriver 1 X</p>										<p>M. Carpet</p>										<p>N. Hexagon wrench</p>										<p>O. Shelf Pin</p>									
<p>Model GF691-0815</p>										<p>Size 900W*800D*1543H</p>																																																																																																																																											



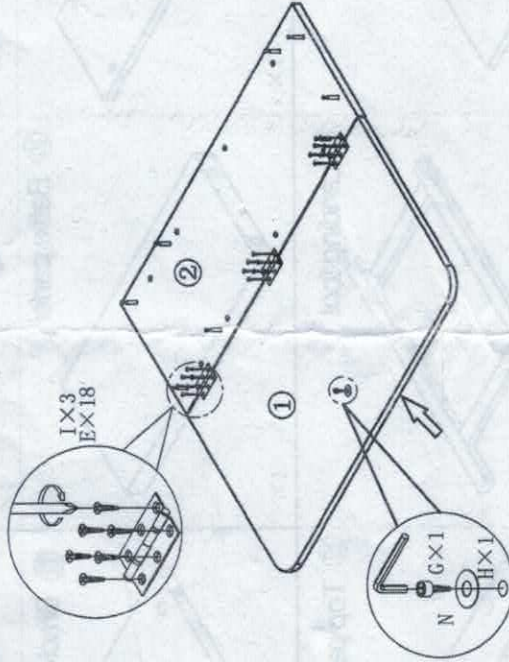


2X

**Step 1** Attention: First of all, put a piece of carton or rug on the floor, and then begin to install the panels, so as to prevent the parts from scratch

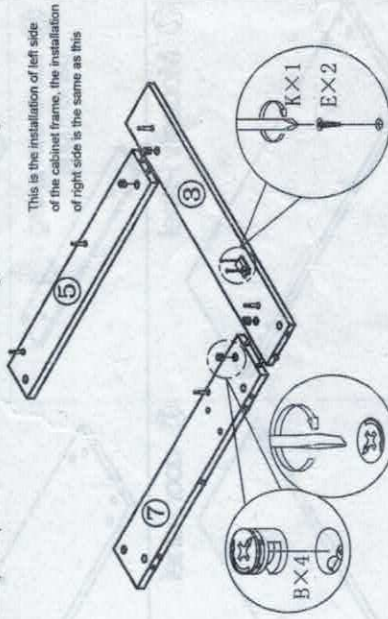


**Step 2**

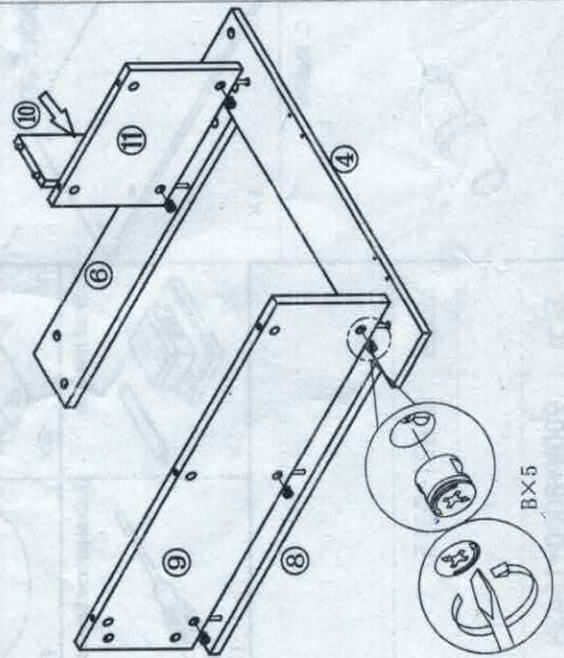


**Step 3**

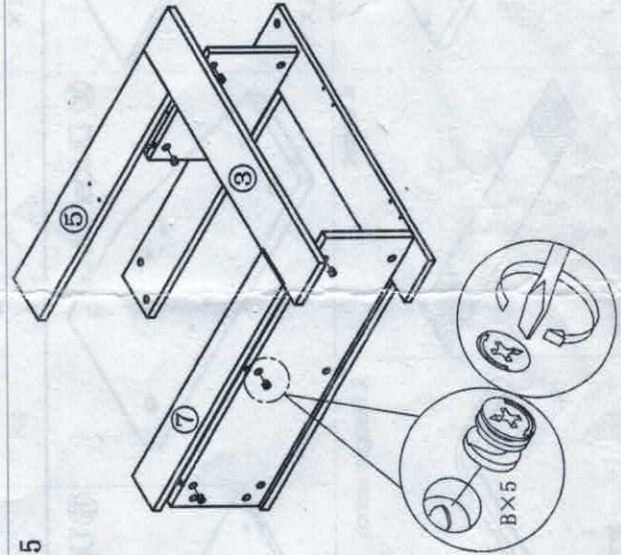
Note: This step of the installation to use F (double-headed rod X2) and A (wood pin X2) to install, first 2 rods and wood Xiao inserted into the corresponding holes in the upper and lower connection plate, and then installed as shown, (rod in the latch hole position to be equal on both sides). The installation of the three-in-one latch is first screwed 30° (not more screwing), and then the corresponding other side of the same operation (back and forth several times, tighten until). This process should be carried out slowly, not screwed in one go.



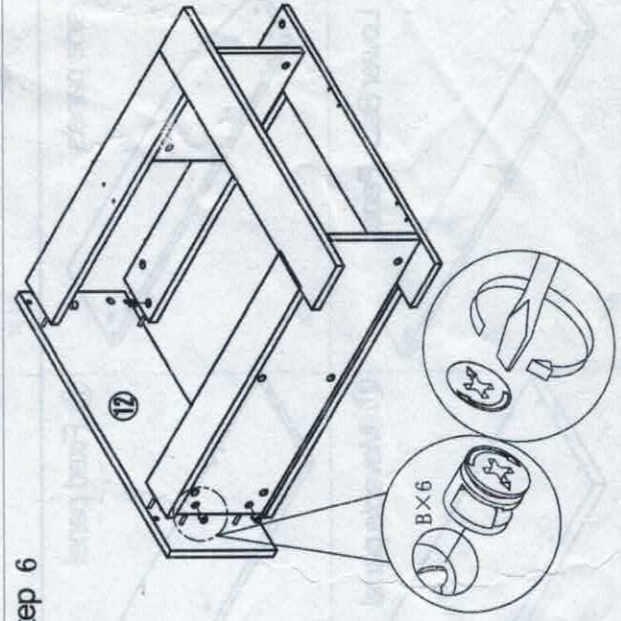
**Step 4**



**Step 5**

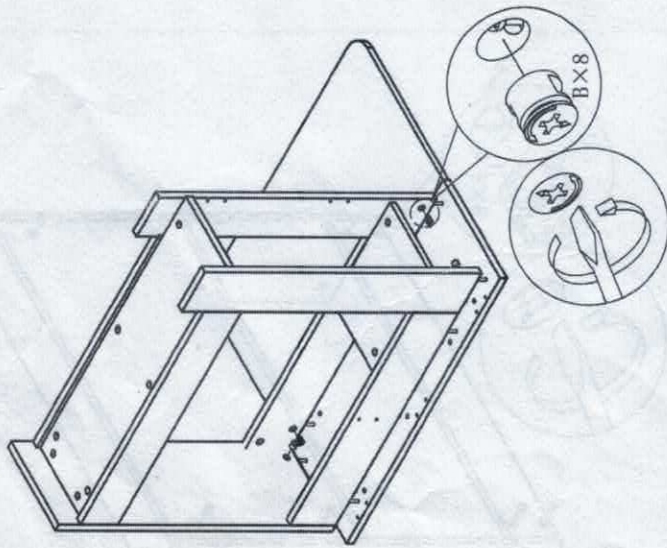


**Step 6**



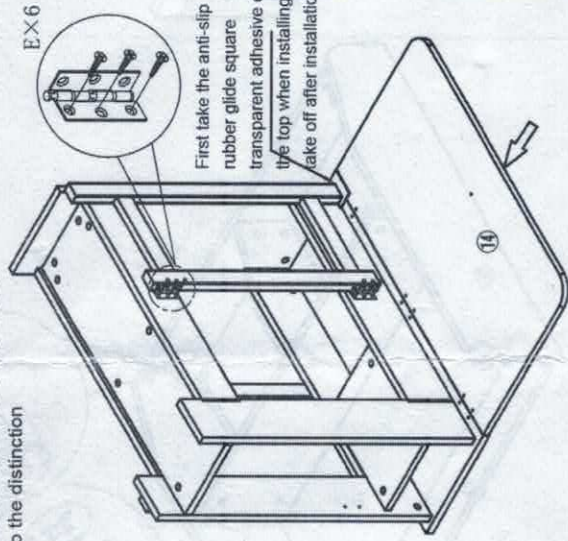


### Step 7



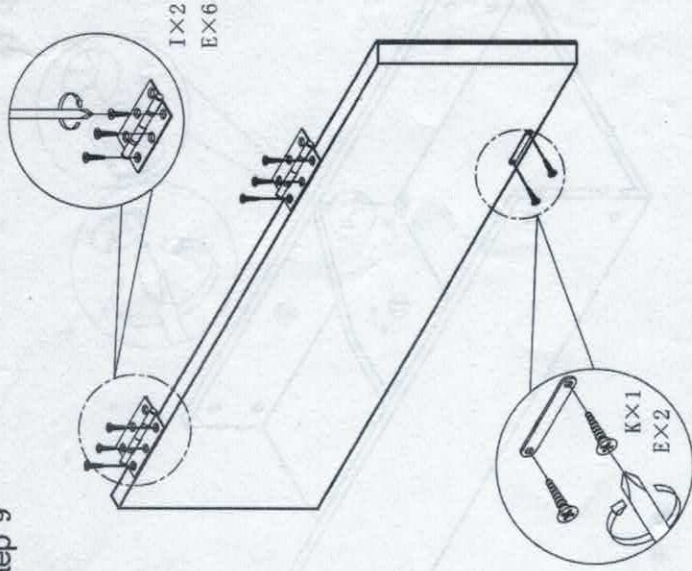
### Step 8

Note: Please note that the length of the top and bottom is not the same when installing the adjustable leveling guides, near the panel in this direction is short, pay attention to the distinction

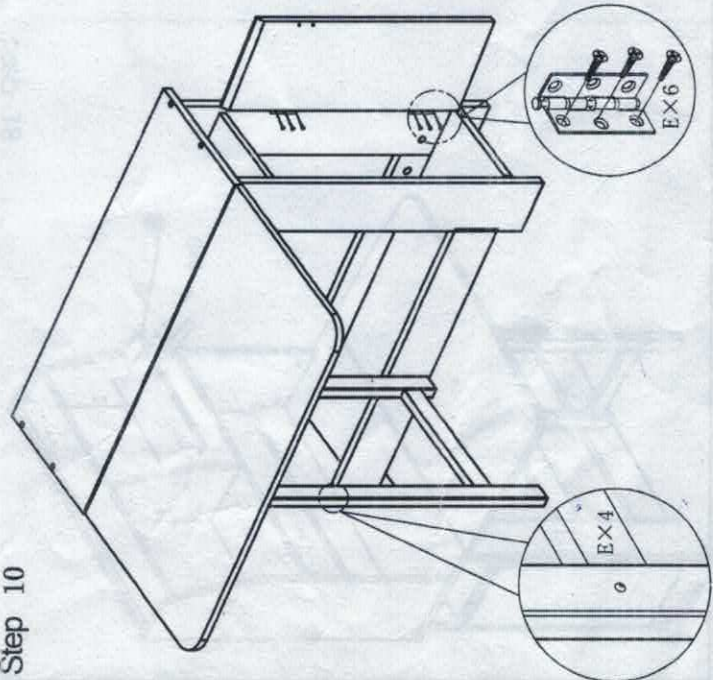


First take the anti-slip rubber glide square transparent adhesive over the top when installing here, take off after installation

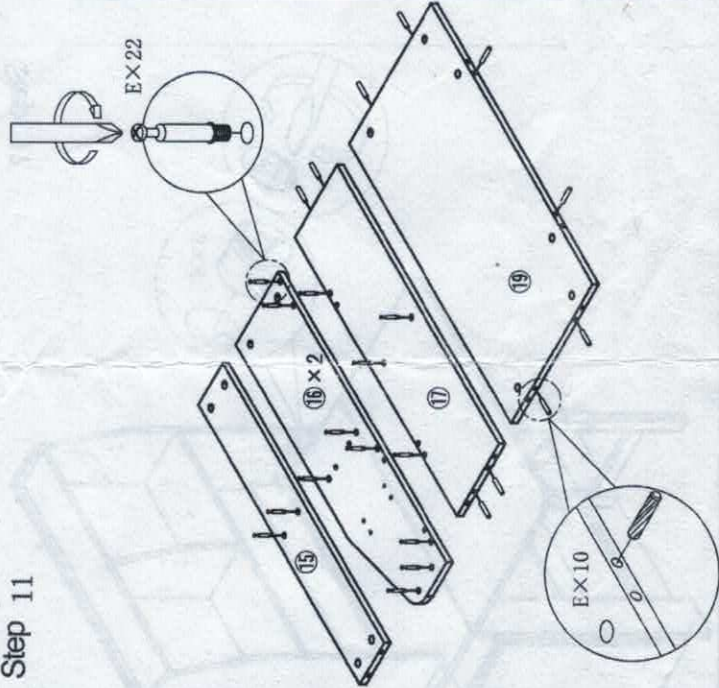
### Step 9



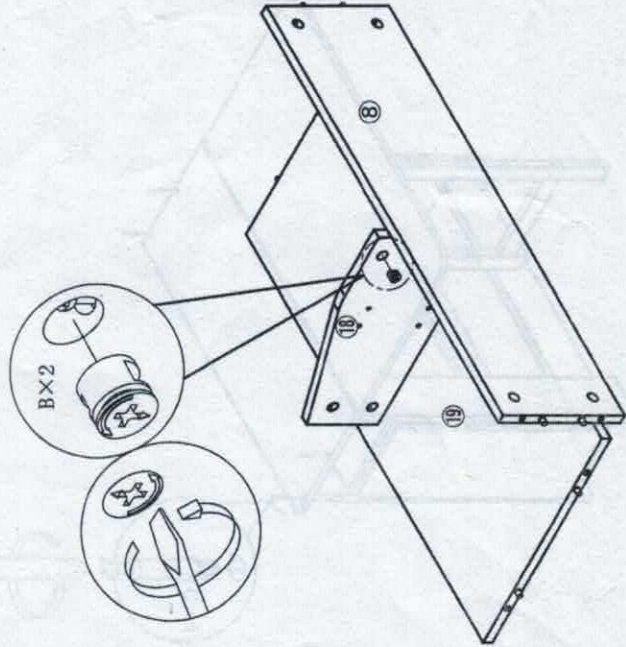
### Step 10



### Step 11

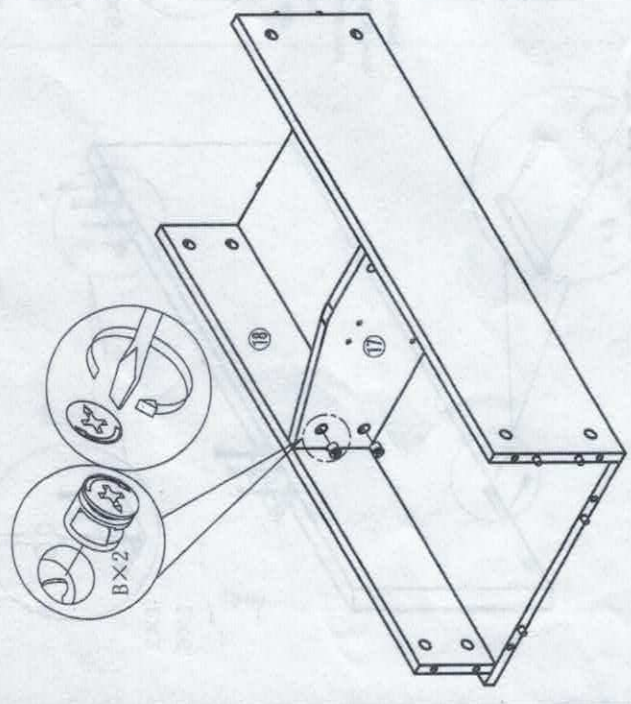


### Step 12

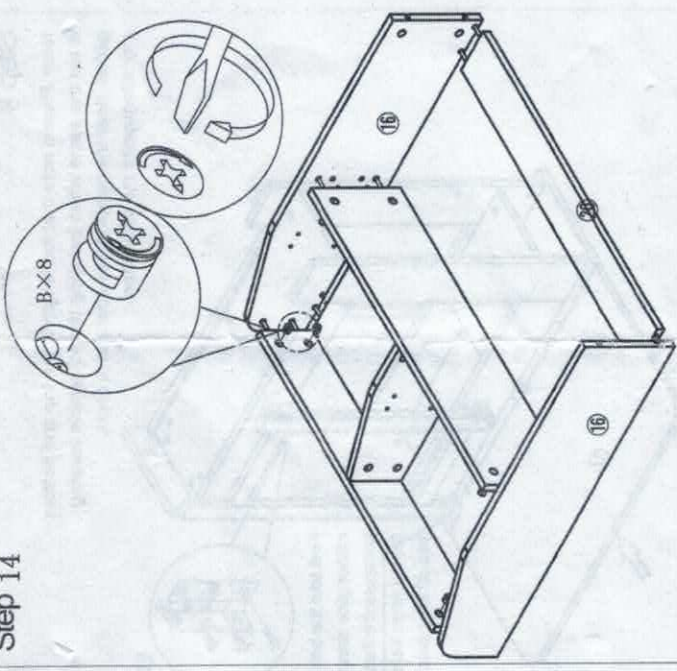




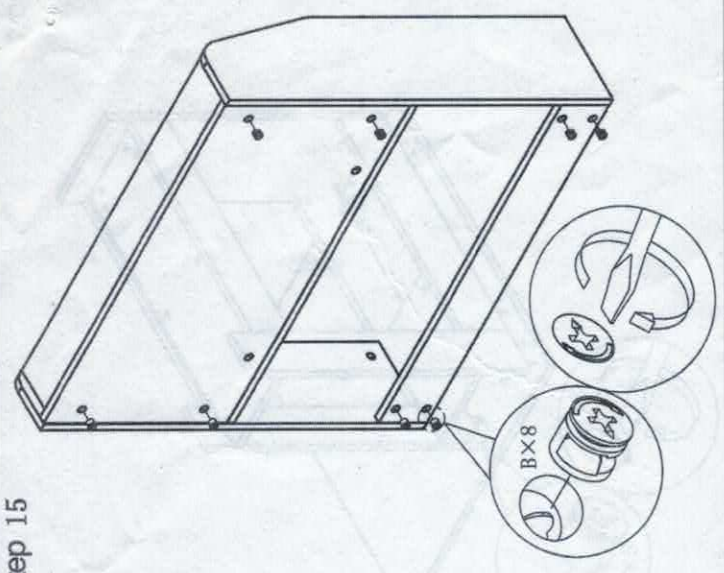
Step 13



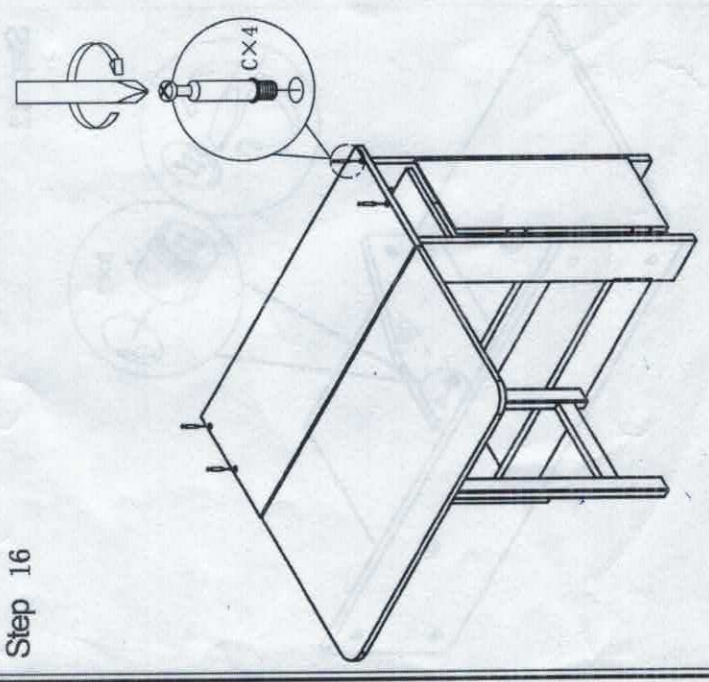
Step 14



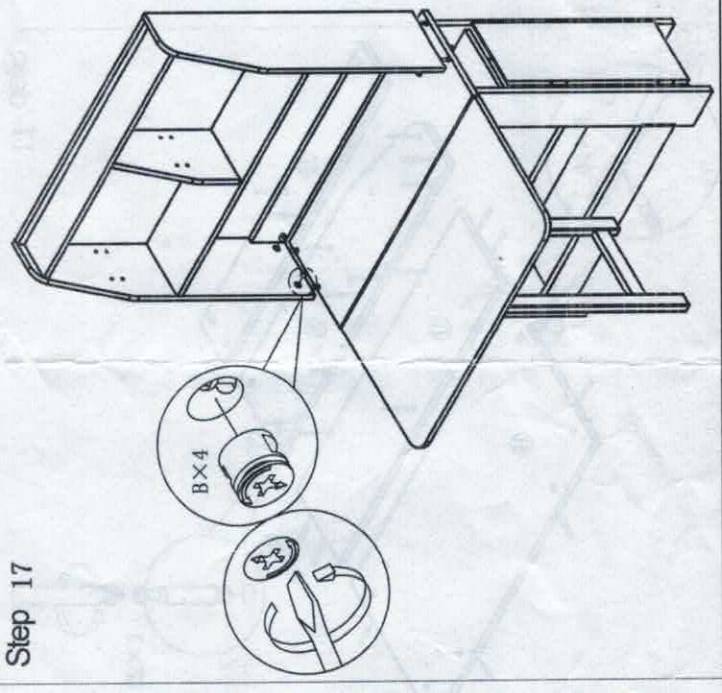
Step 15



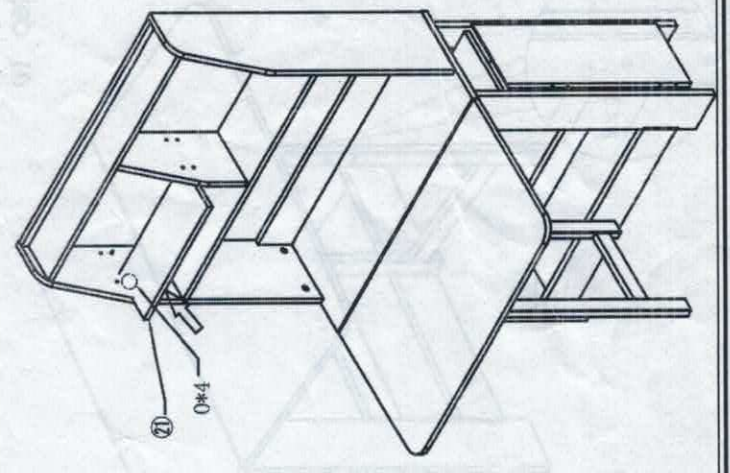
Step 16



Step 17



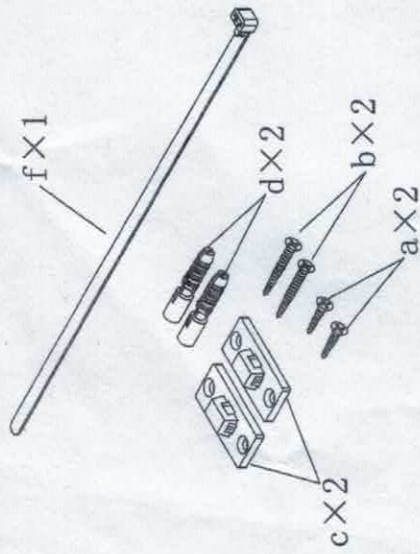
Step 18



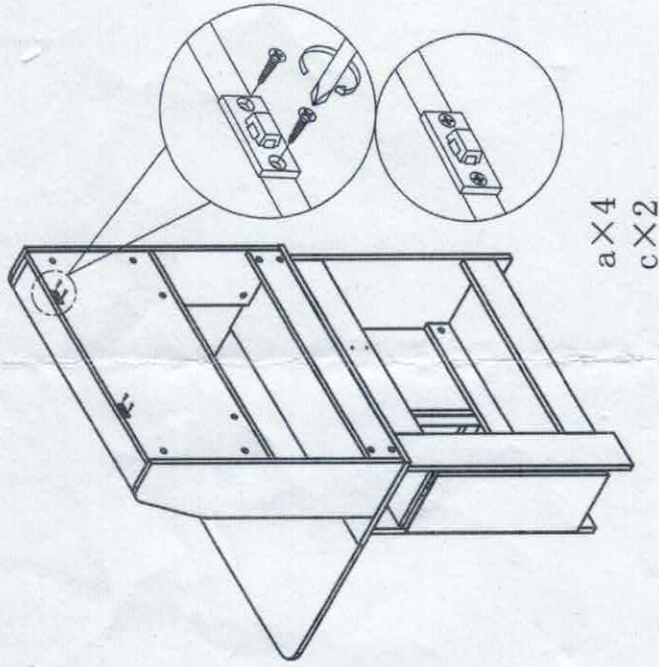


Step 19

Open G (anti-pour hardware package) 2X  
(the following is the number of single package)

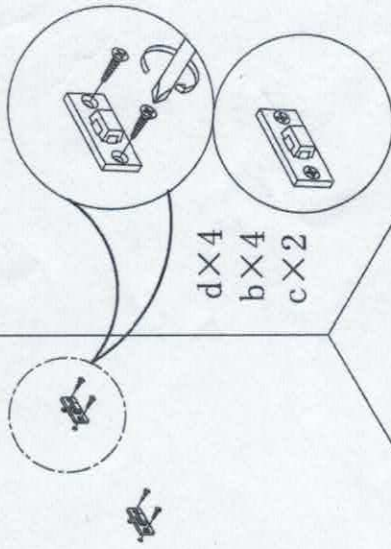


Step 20

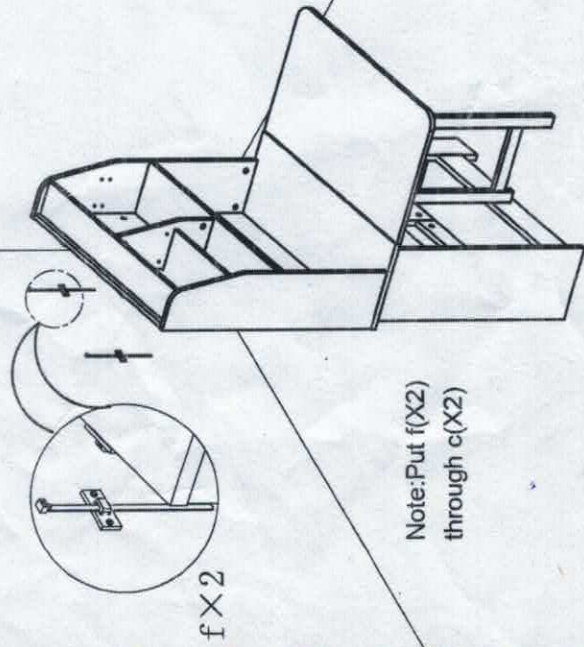


Step 21

Note: Drill holes in the wall according to the corresponding position of c installed in the top plate and tap into dX4, then screw into bX4

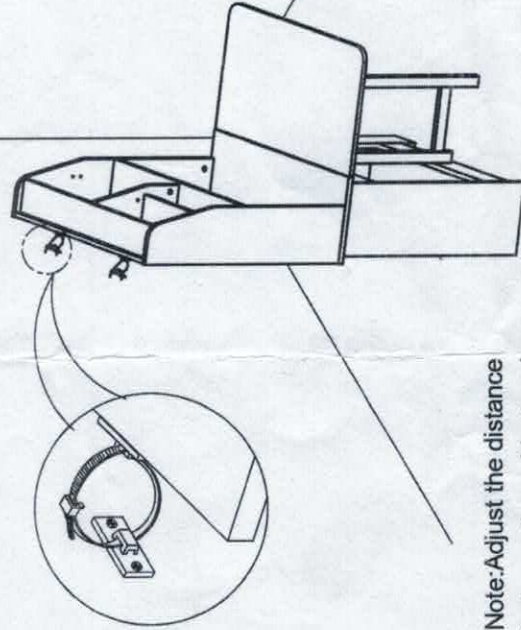


Step 22



Note: Put f(X2) through c(X2)

Step 23



Note: Adjust the distance between the cabinet and the wall, and tighten the tape (f)

Step 24

